

# Intel® NetStructure™ 7280 XML Director

Ensure performance and reliability for XML transactions

## KEY FEATURES

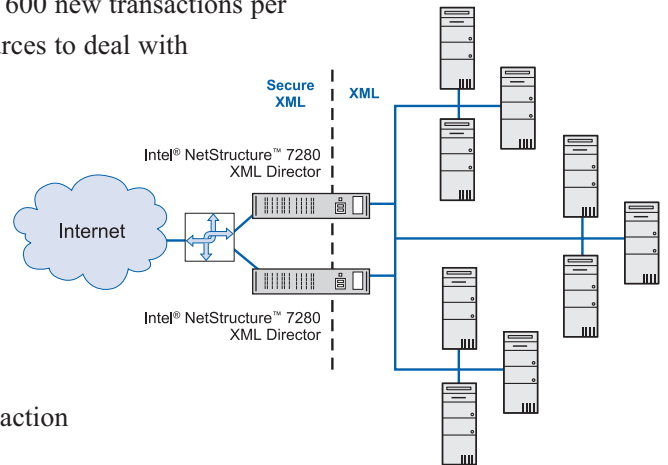
- Classify, prioritize and direct XML transactions
- Up to 150 times' faster processing of secure XML transactions
- XML verification, roll-back and recovery

Classify, accelerate, prioritize and direct your most valuable business-to-business (B2B) transactions with the Intel® NetStructure™ 7280 XML Director. Now your most important transactions can be routed to the optimal server, allowing you to give consistently high-quality e-Business service to your key trading partners.



The Intel NetStructure 7280 XML Director can also improve response times of secure XML transactions by up to 150 times (up to 15,000%) and can handle up to 600 new transactions per second. This frees server resources to deal with transactions more rapidly.

Should a server fail to handle a transaction correctly, the Intel NetStructure 7280 XML Director's Intelligent Transaction Recovery technology automatically and transparently redirects the transaction to another server so the request is fulfilled efficiently.



### Features

Patent-pending rules engine allows classification of XML transactions, e.g. by:

- Trading partner name or type
- Transaction value or quantity
- Time of day or time zone

Multi-variable classification including: AND, OR

Prioritize XML transactions by pre-determined class and targeted response time

Patent-pending encryption/decryption hardware and software

Handles up to 600 new secure transactions per second

Offloads XML handling from e-Business servers

Intelligent Transaction Recovery

Automatically works with all servers and operating systems

Dynamically scalable architecture - supports hot-standby and hot-hot operation

Easy, drop in installation between router and servers

### Benefits

Business priorities easily configured:

- If the request is from Vendor A, then treat as top priority
- If the transaction value is above \$100,000, then treat as top priority

Allows complex business priorities to be addressed

Ensure QoS/SLAs for your most valued e-Business associates

Up to 150 times' faster secure XML performance

Security without sacrificing speed

Maximize server investment

Automatically rolls back the request and resubmits it to another server if the server fails to respond correctly

Easily introduced into any server environment

Add increased secure XML capability as e-Business traffic increases

No additional server hardware, software needed



SPECIFICATIONS		Intel® NetStructure™ 7280 XML Director
SERVICES SUPPORTED		<ul style="list-style-type: none"> <li>All commercial Web servers – Apache*, Microsoft*, Netscape*, etc.</li> <li>All operating systems – UNIX, Solaris*, Windows NT*, OS400*, BSD*, BSDI*, AIX*, etc.</li> <li>All server hardware – Sun*, HP*, IBM RS 6000* and AS/400*, Compaq*, SGI*, Intel platforms</li> <li>No practical limit on number of servers</li> </ul>
XML DIALECTS SUPPORTED		<ul style="list-style-type: none"> <li>Rules can be easily configured to recognize dialects such as Microsoft's* BizTalk*, Ariba's* cXML*, Commerce ONE's* CBL* and the emerging ebXML standard</li> </ul>
SYSTEM ADMINISTRATION		<ul style="list-style-type: none"> <li>Web-based GUI and Command Line Interface for easier management</li> <li>SNMP monitoring (MIB II and Private MIB)</li> <li>Dynamic configuration through password-protected serial console</li> <li>Certificate, private key, port numbers/IP per certificate, display log/diagnostic information</li> </ul>
PERFORMANCE		<ul style="list-style-type: none"> <li>Rated at up to 600 HTTPS connections/sec, 800 HTTP connections/sec, 6,600 connections/sec, 95Mb/sec</li> <li>Patent-pending technology offloads all encryption/decryption from server</li> <li>Out-of-Path Return (OPR) delivers directly to the network</li> <li>Transparent operation – supports single or multiple virtual IP (VIP) addresses per domain</li> </ul>
RESPONSE-TIME-BASED PRIORITY DELIVERY		<ul style="list-style-type: none"> <li>Provides brokering based on class priority, target response times</li> <li>Automatic server weighting and tuning</li> </ul>
SYSTEM FAULT TOLERANCE AND FAILOVER		<ul style="list-style-type: none"> <li>Single site, single or multiple connections</li> <li>Hot-hot mode</li> <li>Automatic detection of services, status change and health of servers</li> <li>Intelligent resource verification</li> </ul>
SECURITY ALGORITHMS SUPPORTED		<ul style="list-style-type: none"> <li>RSA, DSA, RC2, RC4, RC5, DES, 3DES, IDEA, CAST, CAST5, Blowfish, MD5, MDC2, RMD-160, SHA, SHA-1</li> <li>SSH for secure Command Line Interface (56- or 128-bit)</li> </ul>
SYSTEM FAULT TOLERANCE AND FAILOVER		Hot-hot mode Automatic detection of services, status change and health of server
INTERFACE CONNECTIONS		<ul style="list-style-type: none"> <li>Dual 10/100 Ethernet, TTY serial – console, Failover port, Diagnostics port</li> </ul>
PHYSICAL SPECIFICATIONS Dimensions (WxHxD)		Standard 19in rack-mount 17.1875 x 3.5 x 23.75in

### FOR PRODUCT INFORMATION

World Wide Web	<a href="http://www.intel.com/network">www.intel.com/network</a>
U.S. and Canada	800-538-3373
Europe	+44-1793-431-155
Japan	+81-298-47-0800
Hong Kong, Taiwan, Korea, Singapore and ASEAN	+65-735-3811
Australia	+61-2-9937-5800

### CUSTOMER SUPPORT

Intel® Customer Support Services offers a broad selection of programs including extended phone support, upgrades, parts replacement, on-site services and installation. For more information, contact us on the World Wide Web at [support.intel.com/support/network](http://support.intel.com/support/network) or call the number listed in the Product Information section for your area. Service and availability may vary by country.

### ORDER CODE

Intel® NetStructure™ 7280 XML Director	CEA7280SUS
--	------------

### COMPANION PRODUCTS

Consider these related Intel products in your network planning.

For HTML

- Intel® NetStructure™ 7140 Traffic Director
- Intel® NetStructure™ 7170 Traffic Director

For Secure HTML

- Intel® NetStructure™ 7110 e-Commerce Accelerator
- Intel® NetStructure™ 7180 e-Commerce Director

For XML

- Intel® NetStructure™ 7210 XML Accelerator

For multiple site support

- Intel® NetStructure™ 7190 Multi-Site Director

<sup>1</sup> Tested by Intel Corporation during April 2000 using Sun E450 server with Solaris operating system. Similar testing of Intel's acceleration engine was tested publicly at NetWorld & Interop 1999 show May 10-12 using Sun E450 server with Solaris operating system. Also see Networkshop "Scaling E-Commerce Applications" report of 1999: <http://www.networkshop.ca>  
\*Third-party trademarks are the property of their respective owners.

Information in this document is provided in connection with Intel products. No license, express or implied, by estoppel or otherwise, to any intellectual property rights is granted by this document. Except as provided in Intel's Terms and Conditions of Sale for such products, Intel assumes no liability whatsoever, and Intel disclaims any express or implied warranty, relating to sale and/or use of Intel products including liability or warranties relating to fitness for a particular purpose, merchantability, or infringement of any patent, copyright or other intellectual property right. Intel products are not intended for use in medical, life saving, or life sustaining applications. Intel may make changes to specifications and product descriptions at any time, without notice. For the most current product information, please visit <http://www.intel.com/network>