

Intel® NetStructure™ 7210 XML Accelerator

Greater performance for key XML transactions

KEY FEATURES

- Classifies XML-based transactions
- Up to 50 times¹ faster processing of secure XML transactions
- Drop-in, transparent operation, means no change to XML applications

Classify and accelerate your most valuable business-to-business (B2B) transactions with the Intel® NetStructure™ 7210 XML Accelerator. Classified



transactions may then be directed by load balancers and switches to the optimal server allowing you to give consistently high-quality e-Business service to your key trading partners.

The Intel NetStructure 7210 XML Accelerator improves response times of secure XML transactions by up to 50 times¹ (up to 5,000%) and can handle up to 200 new transactions per second. This frees server resources to deal with transactions more rapidly.

Drop-in technology means applications and servers remain untouched. During peak periods, XML traffic overflow will be seamlessly cascaded to the next Intel NetStructure 7210 XML Accelerator. Failover pass-through technology enables uninterrupted performance and classification.

Features

Benefits

Patent-pending rules engine allows classification of XML transactions, e.g. by:

- Trading partner name or type
- Transaction value or quantity
- Time of day or time zone

Business priorities easily configured:

- If the request is from Vendor A, then treat as top priority
- If the transaction value is above \$100,000, then treat as top priority

Multi-variable classification including: AND, OR

Allows complex business priorities to be addressed

Provides up to 3DES level of encryption

Trusted e-Business transactions

Patent-pending encryption/decryption hardware and software

Up to 50 times¹ faster XML performance

Handles up to new 200 secure transactions per second

Security without sacrificing speed

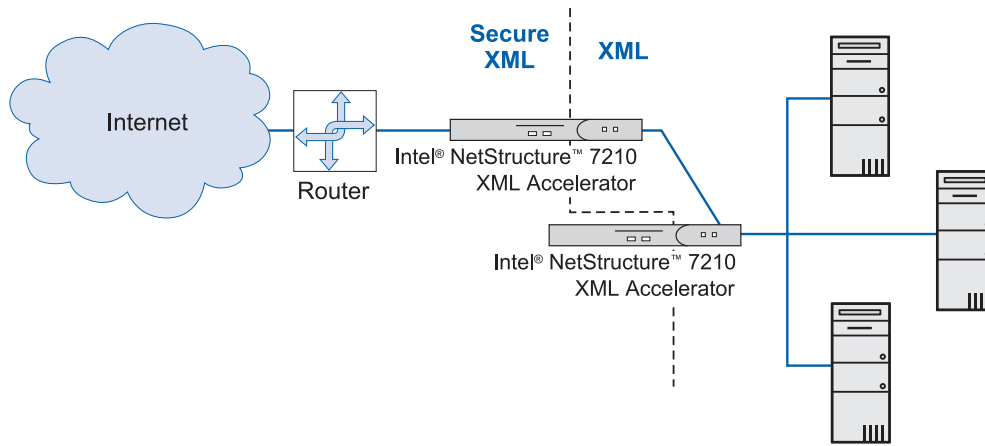
Offloads XML handling from e-Business servers

Maximize server investment

Easy, drop-in installation between router and server

No additional hardware, software needed





SPECIFICATIONS

Intel® NetStructure™ 7210 XML Accelerator

SERVICES SUPPORTED	<ul style="list-style-type: none"> ■ All commercial Web servers – Apache*, Microsoft*, Netscape*, etc. ■ All operating systems – UNIX, Solaris*, Windows NT*, OS400*, BSD*, BSDI*, AIX*, etc. ■ All server hardware – Sun*, HP*, IBM RS 6000* and AS/400*, Compaq*, SGI*, and Intel platforms ■ No practical limit on number of servers
XML DIALECTS SUPPORTED	Rules can be easily configured to recognize dialects such as Microsoft's* BizTalk*, Ariba's* cXML*, Commerce ONE's* CBL* and the emerging ebXML standard.
SYSTEM ADMINISTRATION	<ul style="list-style-type: none"> ■ Command Line Interface for easier management ■ Certificate, private key, port numbers/IP per certificate, display log/diagnostic information ■ Transparent operation – Internal certificate generation for intranet testing and configuration
SECURITY ALGORITHMS SUPPORTED	RSA, DSA, RC2, RC4, RC5, DES, 3DES, IDEA, CAST, CAST5, Blowfish, MD5, MDC2, RMD-160, SHA, SHA-1
SYSTEM FAULT TOLERANCE WITH FAIL THROUGH	<ul style="list-style-type: none"> ■ Fail through switch (internal) ■ Power failure ■ Security alert detection ■ Front panel in-line/off-line switch ■ Software failure
INTERFACE CONNECTIONS	<ul style="list-style-type: none"> ■ Dual 10/100 Ethernet ■ Dual TTY serial – console
PHYSICAL SPECIFICATIONS Dimensions (WxHxD)	Standard 19in rack-mount 16.6875 x 1.75 x 16.6875in

FOR PRODUCT INFORMATION

World Wide Web	www.intel.com/network
U.S. and Canada	800-538-3373
Europe	+44-1793-431-155
Japan	+81-298-47-0800
Hong Kong, Taiwan, Korea, Singapore and ASEAN	+65-735-3811
Australia	+61-2-9937-5800

CUSTOMER SUPPORT

Intel® Customer Support Services offers a broad selection of programs including extended phone support, upgrades, parts replacement, on-site services and installation. For more information, contact us on the World Wide Web at support.intel.com/support/network or call the number listed in the Product Information section for your area. Service and availability may vary by country.

ORDER CODE

Intel® NetStructure™ 7210 XML Accelerator	CEA7210SUS
---	------------

COMPANION PRODUCTS

Consider these related Intel products in your network planning.

For HTML

- Intel® NetStructure™ 7140 Traffic Director
- Intel® NetStructure™ 7170 Traffic Director

For Secure HTML

- Intel® NetStructure™ 7110 e-Commerce Accelerator
- Intel® NetStructure™ 7180 e-Commerce Director

For XML

- Intel® NetStructure™ 7280 XML Director

For Multiple Site Support

- Intel® NetStructure™ 7190 Multi-Site Director

* Tested by Intel Corporation during April 2000 using Sun E450 server with Solaris operating system. Similar testing of Intel's acceleration engine was tested publicly at NetWorld & Interop 1999 show May 10-12 using Sun E450 server with Solaris operating system. Also see Networkshop "Scaling E-Commerce Applications" report of 1999: <http://www.networkshop.ca>

* Third-party trademarks are the property of their respective owners.

Information in this document is provided in connection with Intel products. No license, express or implied, by estoppel or otherwise, to any intellectual property rights is granted by this document. Except as provided in Intel's Terms and Conditions of Sale for such products, Intel assumes no liability whatsoever, and Intel disclaims any express or implied warranty, relating to sale and/or use of Intel products including liability or warranties relating to fitness for a particular purpose, merchantability, or infringement of any patent, copyright or other intellectual property right. Intel products are not intended for use in medical, life saving, or life sustaining applications. Intel may make changes to specifications and product descriptions at any time, without notice. For the most current product information, please visit <http://www.intel.com/network>

